



JCB LOADALL | 535-125 HiViz / 535-140 HiViz



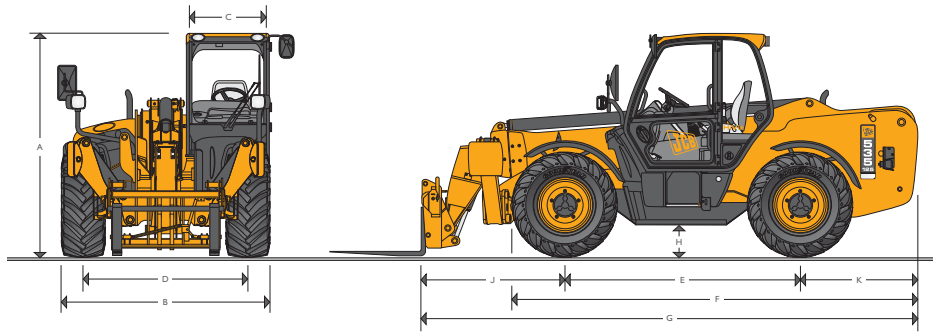
MAX. PAYLOAD:

3.5 tonnes (7716lb)

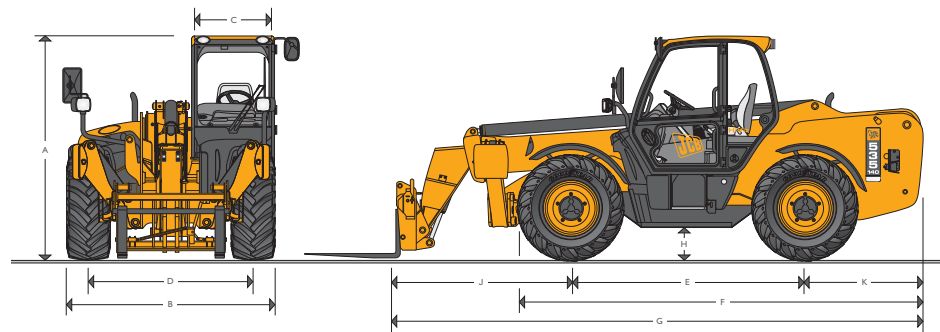
MAX. LIFT HEIGHT:

12.3 metres (40ft 4in) and 13.8 metres (45ft 3in)

STATIC DIMENSIONS – 535-125 HiViz



STATIC DIMENSIONS – 535-140 HiViz



STATIC DIMENSIONS – 535-125 HiViz

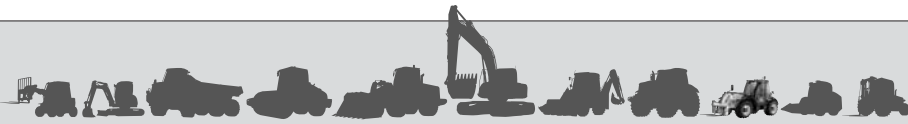
Machine model		535-125 HiViz
		m (ft-in)
A	Overall height	2.59 (8-6)
B	Overall width (over tyres)*	2.35 (7-9)
C	Inside width of cab	0.94 (3-1)
D	Front track	1.90 (6-3)
E	Wheelbase	2.75 (9-0)
F	Overall length to front tyres	4.74 (15-7)
G	Overall length to front carriage	5.80 (19-0)
H	Ground clearance	0.40 (1-4)
J	Front wheel centre to carriage	1.68 (5-6)
K	Rear wheel centre to rear face	1.37 (4-6)
	Overall width with stabilisers fully deployed	2.57 (8-5)
	Outside turn radius (over tyres)	3.75 (12-4)
	Carriage roll back angle @ ground level	degrees 370
	Carriage dump angle @ boom fully raised	degrees 12.5
	Weight	kg (lb) 9720 (21429)
	Tyres	15.5/80-24

*Dependant upon tyre specified.

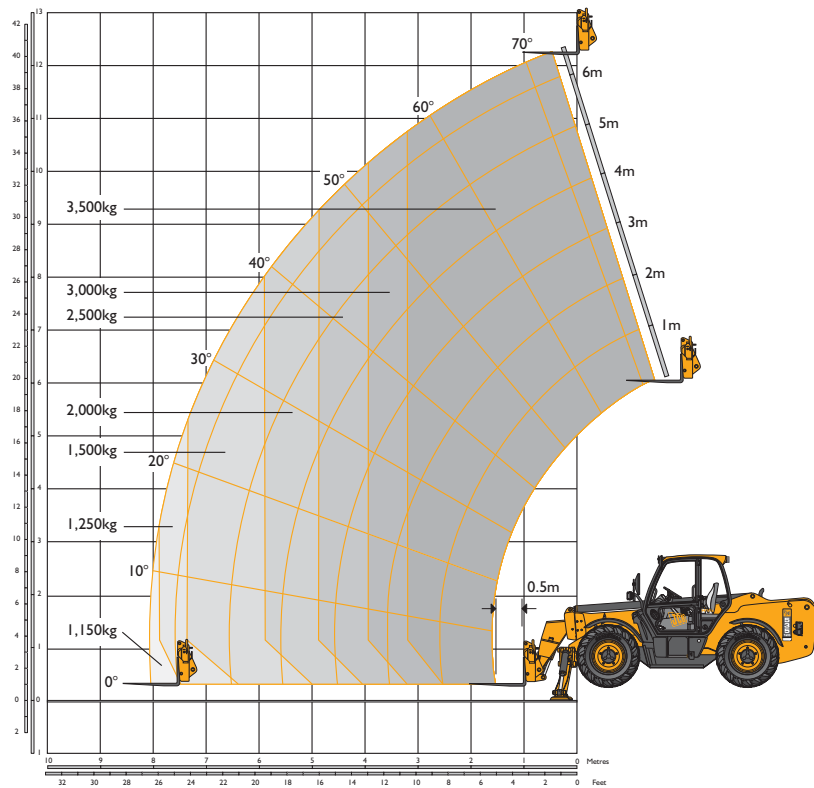
STATIC DIMENSIONS – 535-140 HiViz

Machine model		535-140 HiViz
		m (ft-in)
A	Overall height	2.59 (8-6)
B	Overall width (over tyres)*	2.35 (7-9)
C	Inside width of cab	0.94 (3-1)
D	Front track	1.90 (6-3)
E	Wheelbase	2.75 (9-0)
F	Overall length to front tyres	4.74 (15-7)
G	Overall length to front carriage	6.23 (20-5)
H	Ground clearance	0.40 (1-4)
J	Front wheel centre to carriage	2.11 (6-11)
K	Rear wheel centre to rear face	1.37 (4-6)
	Overall width with stabilisers fully deployed	2.57 (8-5)
	Outside turn radius (over tyres)	3.75 (12-4)
	Bucket roll back angle @ ground level	degrees 37
	Bucket dump angle @ boom fully raised	degrees 12.5
	Weight	kg (lb) 10880 (23986)
	Tyres	15.5/80-24

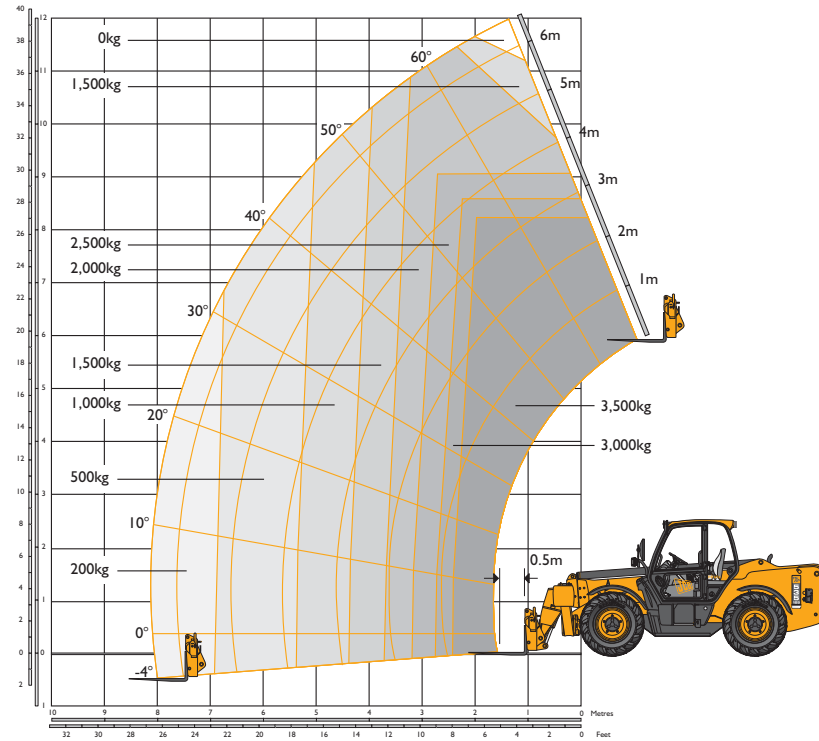
*Dependant upon tyre specified.



LIFT PERFORMANCE – STABILISERS EXTENDED – 535-125 HiViz



LIFT PERFORMANCE – STABILISERS RETRACTED – 535-125 HiViz



Chassis Levelling (Sway)
With stabilisers retracted (Sway angle $\pm 9^\circ$)

LIFT PERFORMANCE – STABILISERS EXTENDED – 535-125 HiViz

With Stabilisers Extended

Maximum lift capacity	kg (lb)	3500 (7716)
Lift capacity to full height	kg (lb)	3500 (7716)
Lift capacity at full reach	kg (lb)	1150 (2535)
Lift height	m (ft-in)	12.28 (40-3)
Reach at maximum lift height	m (ft-in)	0.46 (1-6)
Maximum forward reach	m (ft-in)	8.06 (26-5)
Reach with 1 tonne load	m (ft-in)	8.06 (26-5)
Placing Height	m (ft-in)	11.75 (38-7)

Complies with FEM stability test 4.001 R. Lift heights are with stabilisers fully extended.

LIFT PERFORMANCE – STABILISERS RETRACTED – 535-125 HiViz

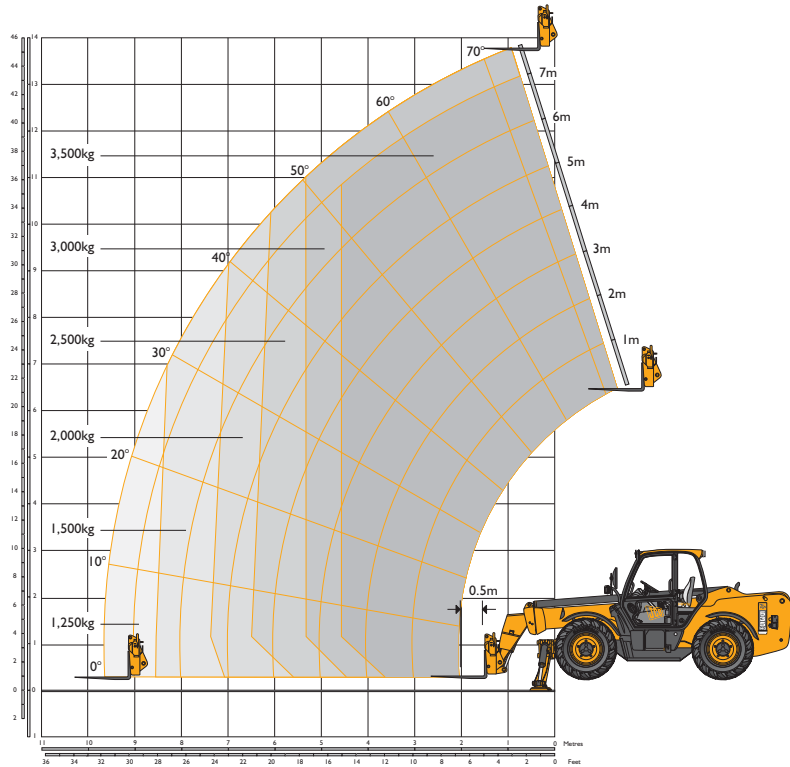
With Stabilisers Retracted

Maximum lift capacity	kg (lb)	3500 (7716)
Lift capacity to full height	kg (lb)	1500 (3307)
Lift capacity at full reach	kg (lb)	200 (441)
Lift height	m (ft-in)	12.07 (39-7)
Reach at maximum lift height	m (ft-in)	1.36 (4-6)
Maximum forward reach	m (ft-in)	8.10 (26-7)
Reach with 1 tonne load	m (ft-in)	5.31 (17-5)
Placing Height	m (ft-in)	11.43 (37-5)

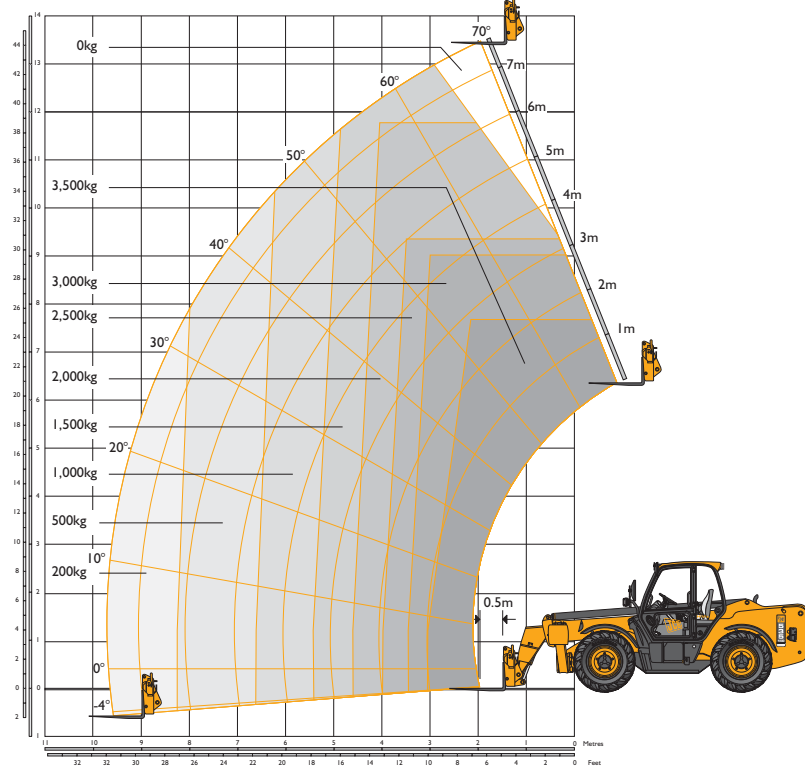
Complies with stability test EN1459 annex B.



LIFT PERFORMANCE – STABILISERS EXTENDED – 535-140 HiViz



LIFT PERFORMANCE – STABILISERS RETRACTED – 535-140 HiViz



Chassis Levelling (Sway)
With stabilisers retracted (Sway angle $\pm 9^\circ$)

LIFT PERFORMANCE – STABILISERS EXTENDED – 535-140 HiViz

With Stabilisers Extended

Maximum lift capacity	kg (lb)	3500 (7716)
Lift capacity to full height	kg (lb)	3000 (6614)
Lift capacity at full reach	kg (lb)	1250 (2756)
Lift height	m (ft-in)	13.78 (45-2)
Reach at maximum lift height	m (ft-in)	0.93 (3-0)
Maximum forward reach	m (ft-in)	9.60 (31-6)
Reach with 1 tonne load	m (ft-in)	9.60 (31-6)
Placing Height	m (ft-in)	13.30 (43-8)

Complies with stability test EN 1459 Annex B.

LIFT PERFORMANCE – STABILISERS RETRACTED – 535-140 HiViz

With Stabilisers Retracted

Maximum lift capacity	kg (lb)	3500 (7716)
Lift capacity to full height	kg (lb)	1500 (3307)
Lift capacity at full reach	kg (lb)	200 (441)
Lift height	m (ft-in)	13.47 (44-2)
Reach at maximum lift height	m (ft-in)	1.94 (6-4)
Maximum forward reach	m (ft-in)	9.70 (31-10)
Reach with 1 tonne load	m (ft-in)	6.61 (21-8)
Placing Height	m (ft-in)	13.02 (42-9)

Complies with stability test EN 1459 Annex B.



JCB LOADALL | 535-125 HiViz / 535-140 HiViz



ENGINE

Latest technology and advanced design provides low fuel consumption, reduced noise, high torque and power output, total reliability and minimal maintenance. Two-stage, dry type air filter with primary and safety elements.

		Standard	Option
Displacement	ltr (in ³)	4.4 (269)	4.4 (269)
No. of cylinders		4	4
Bore size	mm (in)	103 (4.05)	103 (4.05)
Stroke	mm (in)	132 (5.0)	132 (5.0)
Aspiration		Naturally aspirated	Turbo
Power rating			
Power @ 2200rpm	kW (HP)	63 (85)	74.2 (100)
Torque rating			
Torque @ 1200rpm	Nm (lbf ft)	320 (236)	–
Torque @ 1300rpm	Nm (lbf ft)	–	425 (313)

TRANSMISSION

JCB Powershift transmission incorporating torque converter, bevel box and a 4-speed Powershift gearbox in one resiliently mounted unit.

A combined steering column mounted switch incorporating directional control and 4 forward and 4 reverse Powershift gears. Travel speed 25kph (15.5mph). Optional 33kph transmission.

Front- and rear drive axles: JCB epicyclic hub reduction drive/steer axles with Max-Trac torque proportioning differentials. Permanent 4 wheel drive.

BRAKES

Service brakes: Servo assisted, hydraulically activated, self-adjusting, oil-immersed multi-disc type on front and rear axle.

Parking brake: Hand-operated disc brake on output of gearbox.

BOOM AND CARRIAGE

Boom is manufactured from high tensile steel.

Low-maintenance, hard-wearing pads.

JCB Q-fit self-levelling carriage with lever-operated pin locking accepts pallet forks and a wide range of attachments.

One boom end auxiliary hydraulic service fitted as standard.

SAFETY CHECK VALVES

Fitted to carriage tilt, telescopic and boom lift rams.

SERVICE CAPACITIES

Fuel tank	litres (UK gal)	125 (27.5)
Hydraulic tank	litres (UK gal)	127 (27.9)
Coolant	litres (UK gal)	23 (5.1)



JCB LOADALL | 535-125 HiViz / 535-140 HiViz



HYDRAULICS

Two stage gear pump with suction strainer and filter.

		535-125 HiViz	535-140 HiViz
Operating system pressure	bar (psi)	260 (3770)	260 (3770)
Pump flow	ltrs/min	110	110
Hydraulic Cycle Times		Seconds	Seconds
Boom raise		10.4	13.5
Boom lower		8.1	11.0
Extend		15.7	15.6
Retract		12.8	14.4
Bucket dump		1.8	1.7
Bucket crowd		2.3	2.0

ELECTRICS

12 v negative earth. 130 AH battery, 95 amp alternator. Full road lighting. Reversing light. Direction indicators. Hazard warning. Reverse alarm.

CAB

Quiet, safe and comfortable cab conforms to ROPS ISO 3471 and FOPS ISO 3449. Tinted glass all round. Laminated roof screen. Roof bars, front, rear and roof screen wash/wipe and heater/screen demister. Opening rear window. Audio-visual warning system for coolant temperature, engine oil pressure, air cleaner, battery charge, transmission oil temperature and pressure, water in fuel. Hourmeter and road-speed indicator. Engine temperature, fuel gauge, clock and inclinometer.

Mechanical joystick, direct-acting hydraulic control levers. Adjustable steer column with stalk bar Powershift change and forward reverse shuttle. Throttle and brake pedal. Adjustable deluxe seat with adjacent park brake fitted.

Automatic, eye-level, audio-visual load moment indicator warning system receiving a signal from a load sensor on the rear axle. This system continuously monitors the machine's forward stability and leaves the operator in control at all times.

Optional indicator lamp to show when the stabilisers are on firm ground.

Safety canopy as above but with side glass and roof glass only (screen wiper and heater/screen demister not applicable).

STEERING

Hydrostatic power steering.

Three steer mode options: front-wheel steer, all-wheel steer, crab steer. All operated from in the cab by a selection lever (Auto-steer optional).

OPTIONS AND ACCESSORIES

Options: Front and rear working lights, rotating flashing beacon, fire extinguisher, radial industrial tyres, electrical 2/4WD select, limited slip differential in front axle, windscreen and roof guard, air suspension seat, deluxe cab trim with smoking pack, roof and front screen blind, radio kit, heavy duty battery, air conditioning, clearview carriage, sideshift.

Attachments: Contact your local dealer for details of the comprehensive range.



A GLOBAL COMMITMENT TO QUALITY

JCB's total commitment to its products and customers has helped it grow from a one-man business into Britain's largest privately owned manufacturer of backhoe loaders, crawler excavators, wheeled excavators, telescopic handlers, wheeled loaders, dump trucks, rough terrain fork lifts, industrial fork lifts, mini/midi excavators, skid steer loaders, tractors and compaction equipment.

By making constant and massive investments in the latest production technology, the JCB factories have become some of the most advanced in the world.

By leading the field in innovative research and design, extensive testing and stringent quality control, JCB machines have become renowned all over the world for performance, value and reliability.

And with a global sales and service network of more than 650 dealers and agents, we aim to deliver the best customer support in the industry.

Through setting the standards by which others are judged, JCB has become one of the world's most impressive success stories.

